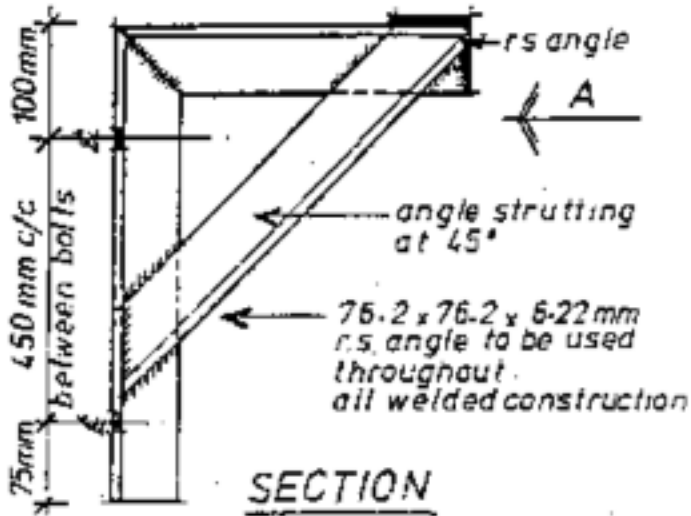


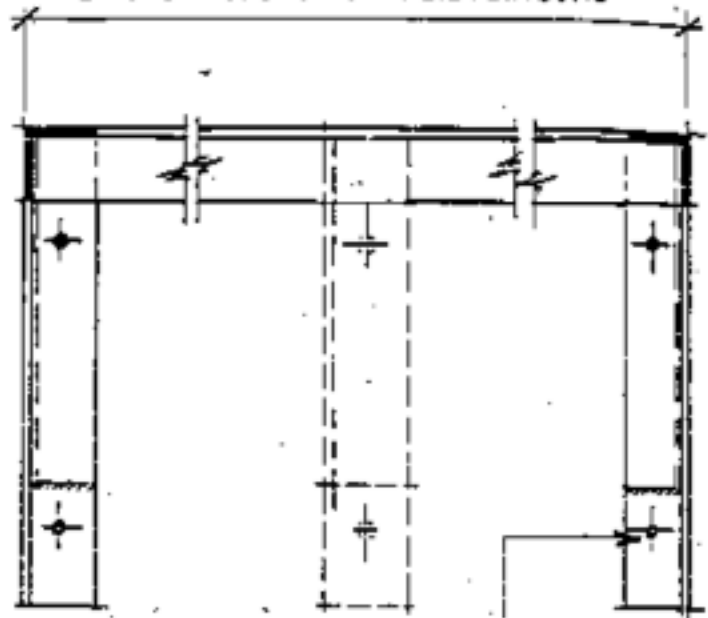
London Borough of Ealing Building Control Services Information No. 4 Gallows Bracket for chimney Breast Removal

GALLOWS BRACKET

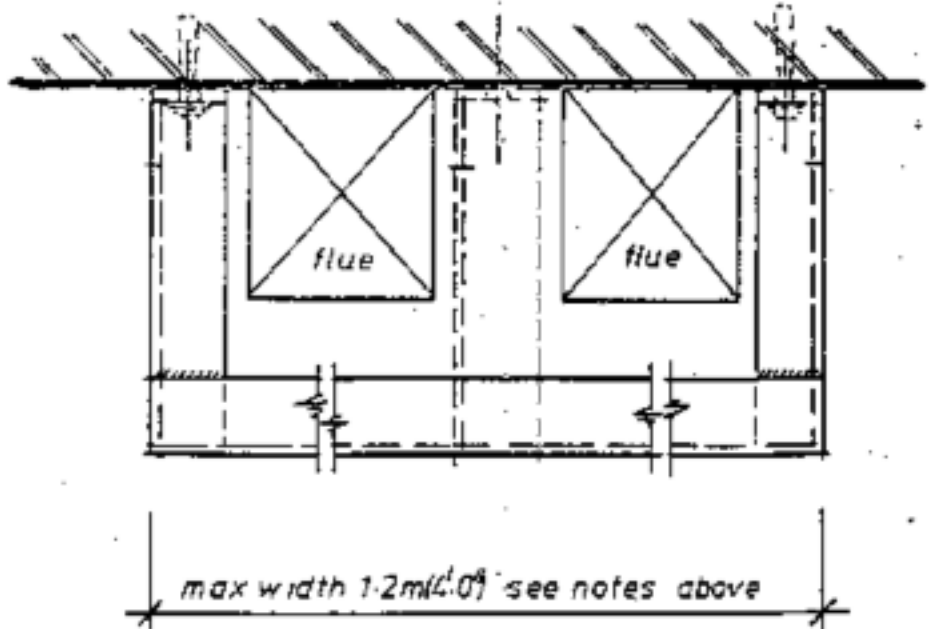
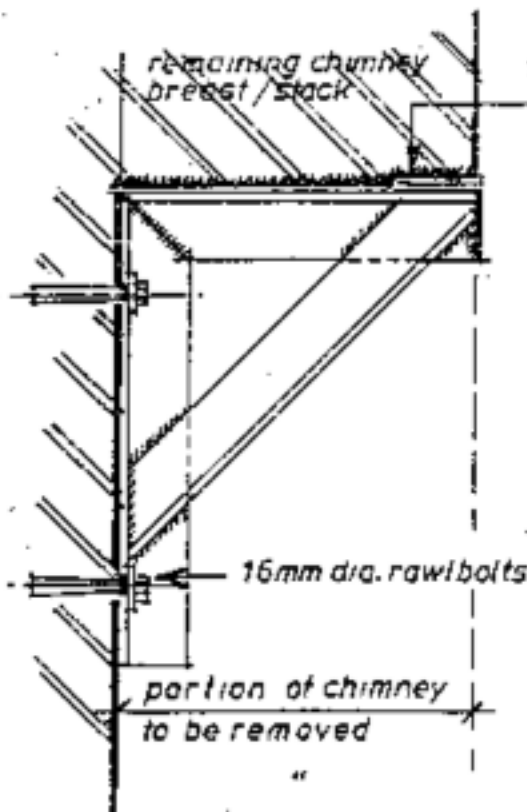
to suit depth of chimney breast
site check



To suit width of chimney breast:
Maximum width 1.2M (4'0") for two brackets & 4 no-16mm dia rawibolts
For wider chimney breasts a centrally placed 3rd bracket to be used with a total no. 6 no-16mm dia rawibolts



2 no-holes in each bracket drilled to suit 16mm-dia rawibolts.



Gallows Bracket Detail for Chimney Breast Removal (where allowable)

NOTE: Builder to check all dimensions on site.

These brackets are suitable for certain residential chimney breasts.

Please see our information leaflet for more detailed advice as to where gallows brackets can be safely used.

Produced free of charge by Ealing Building Control Services as an aid to construction for owners, builders and specifiers within the Borough.